

LED CIRCULAR SPOT (V2)


APPLICATION


LIBRARY



SHOPPING MALL



OFFICE



CONFERENCE ROOM



HOSPITAL



SCHOOL

CIRCULAR SPOT

RECESSED DOWN LIGHT SPOT COB LED, IP 20.

DESIGNED AND CREATED FOR RECREATIONAL DECORATIVE LIGHTING.

BODY

MADE OF DIE CAST ALUMINUM RING ELECTROSTATIC COATED AFTER PHOSPHO - CHROMATATION. HEAT SINK WITH SPECULAR REFLECTOR, GLASS DIFFUSER.

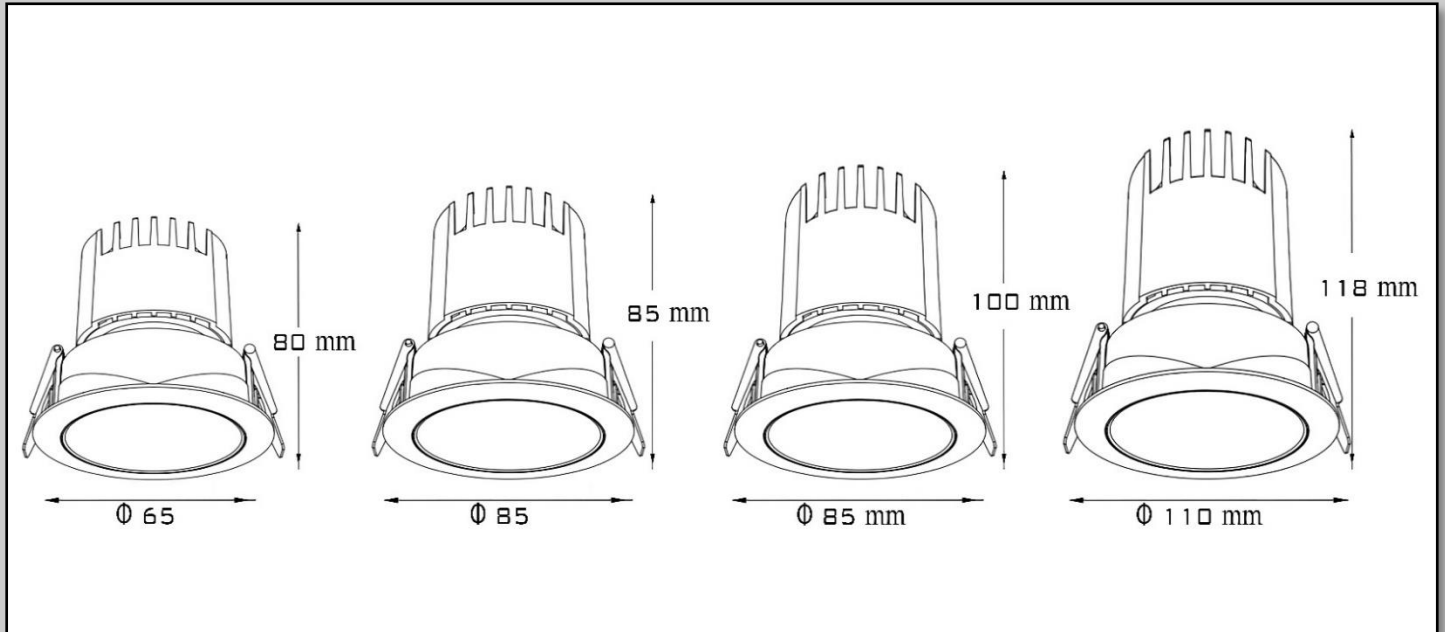
LEDs

AVAILABILITY OF DIFFERENT COLOR TEMPERATURES.

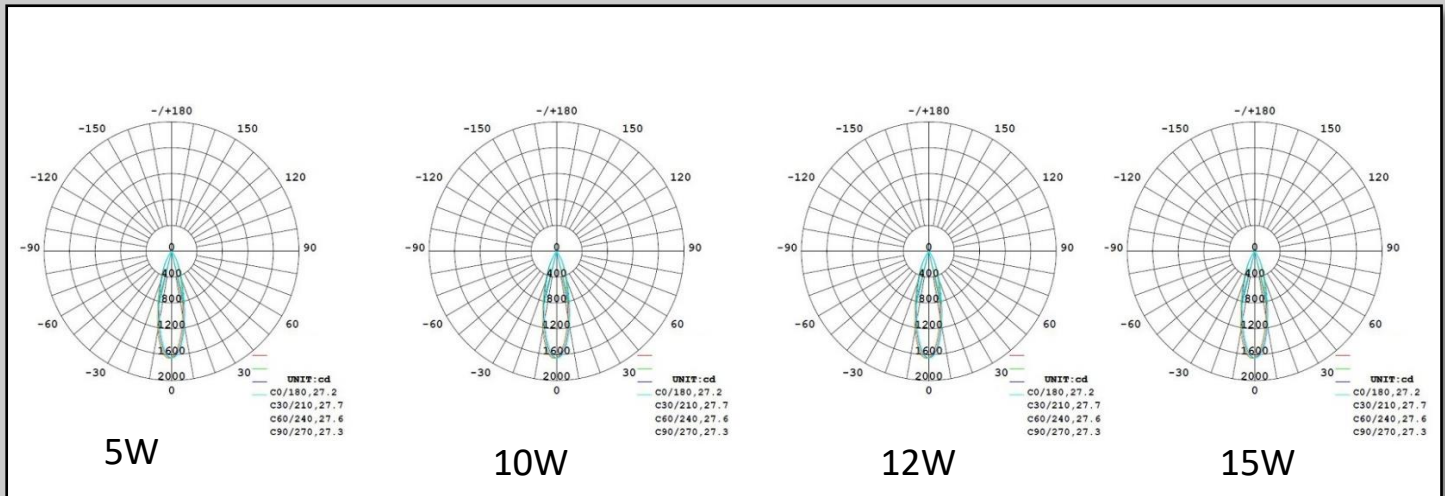
ITEM CODE	ITEM DESCRIPTION	POWER (W)	POWER FACTOR	LUMEN (LM)	EFFICADY (LM/W)	BEAM ANGLE	GRI	CCT (K)	CUT OUT	DIMINTION
CSL (V2) COB 5W D65-3K	CIRCULAR SPOT LIGHT COB 5W 3000K D65*80-IP 20	5	0.9	500	100	15°/24°/36°/60°	90	3000K	Ø 55	Ø 65*80
CSL (V2) COB 5W D65-4K	CIRCULAR SPOT LIGHT COB 5W 4000K D65*80-IP 20	5	0.9	500	100	15°/24°/36°/60°	90	4000K	Ø 55	Ø 65*80
CSL (V2) COB 5W D65-6K	CIRCULAR SPOT LIGHT COB 5W 6000K D65*80-IP 20	5	0.9	500	100	15°/24°/36°/60°	90	6000K	Ø 55	Ø 65*80
CSL (V3) COB 9W D85-3K	CIRCULAR SPOT LIGHT COB 9W 3000K D85*85-IP 20	9	0.9	900	100	15°/24°/36°/60°	90	3000K	Ø 75	Ø 85*85
CSL (V2) COB 9W D85-4K	CIRCULAR SPOT LIGHT COB 9W 4000K D85*85-IP 20	9	0.9	900	100	15°/24°/36°/60°	90	4000K	Ø 75	Ø 85*85
CSL (V2) COB 9W D85-6K	CIRCULAR SPOT LIGHT COB 9W 6000K D85*85-IP 20	9	0.9	900	100	15°/24°/36°/60°	90	6000K	Ø 75	Ø 85*85
CSL(V2) COB 10W D85-3K	CIRCULAR SPOT LIGHT COB 10W 3000K D85*110-IP 20	10	0.9	1000	100	15°/24°/36°/60°	90	3000K	Ø 75	Ø 85*100
CSL (V2) COB 10W D85-4K	CIRCULAR SPOT LIGHT COB 10W 4000K D85*110-IP 20	10	0.9	1000	100	15°/24°/36°/60°	90	4000K	Ø 75	Ø 85*100
CSL (V2) COB 10W D85-6K	CIRCULAR SPOT LIGHT COB 10W 6000K D85*110-IP 20	10	0.9	1000	100	15°/24°/36°/60°	90	6000K	Ø 75	Ø 85*100
CSL (V3) COB 15W D110-3K	CIRCULAR SPOT LIGHT COB 15W 3000K D110*118-IP 20	15	0.9	1500	100	15°/24°/36°/60°	90	3000K	Ø 95	Ø 110*118
CSL (V2) COB 15W D110-4K	CIRCULAR SPOT LIGHT COB 15W 4000K D110*118-IP 20	15	0.9	1500	100	15°/24°/36°/60°	90	4000K	Ø 95	Ø 110*118
CSL (V2) COB 15W D110-6K	CIRCULAR SPOT LIGHT COB 15W 6000K D110*118-IP 20	15	0.9	1500	100	15°/24°/36°/60°	90	6000K	Ø 95	Ø 110*118



DIMENSION



PHOTOMETRIC DATA



SPECTROMETRY

