

LED CIRCULAR DOWNLIGHTS (V1)



APPLICATION



CIRCULAR DOWNLIGHTS

RECESSED DOWN LIGHT SPOT SMD LED, IP 20.

DESIGNED AND CREATED FOR OFFICE SPACE AND GENERAL INDOORS LIGHTING.

BODY

MADE OF DIE CAST ALUMINUM ELECTROSTATIC COATED AFTER PHOSPHO - CHROMATATION. HEAT SINK WITH SPECULAR REFLECTOR, GLASS DIFFUSER.

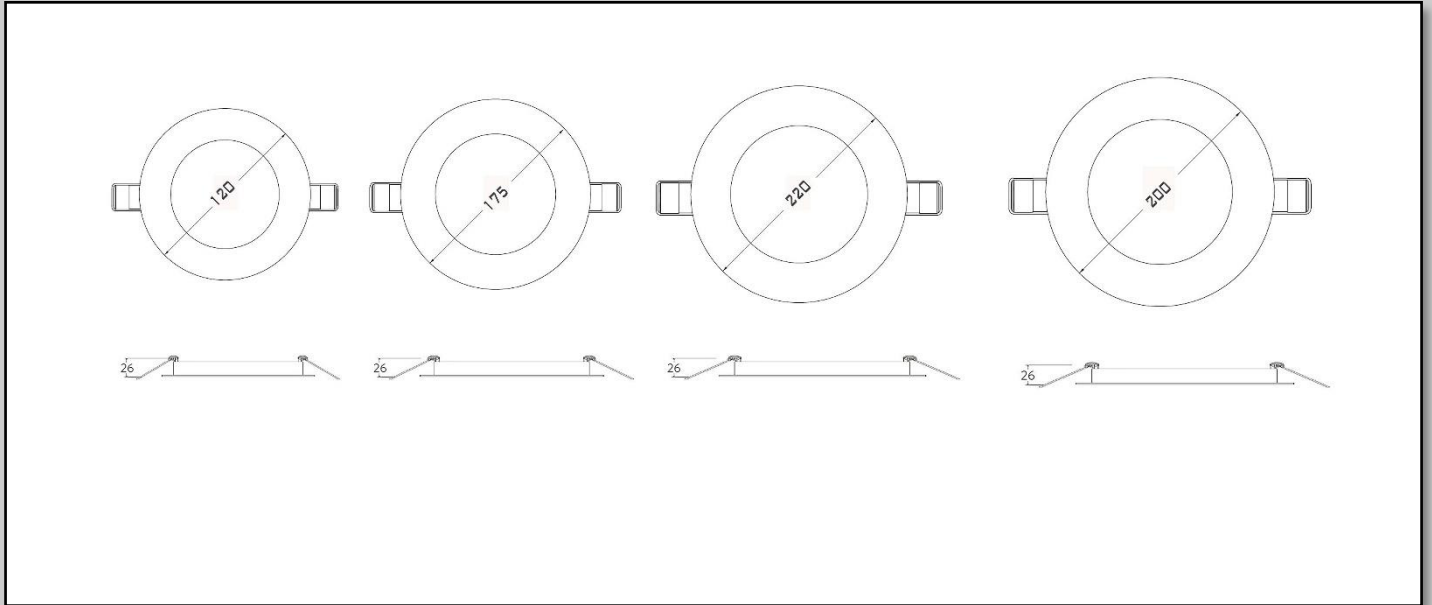
LEDs

AVAILABILITY OF DIFFERENT COLOR TEMPERATURES.

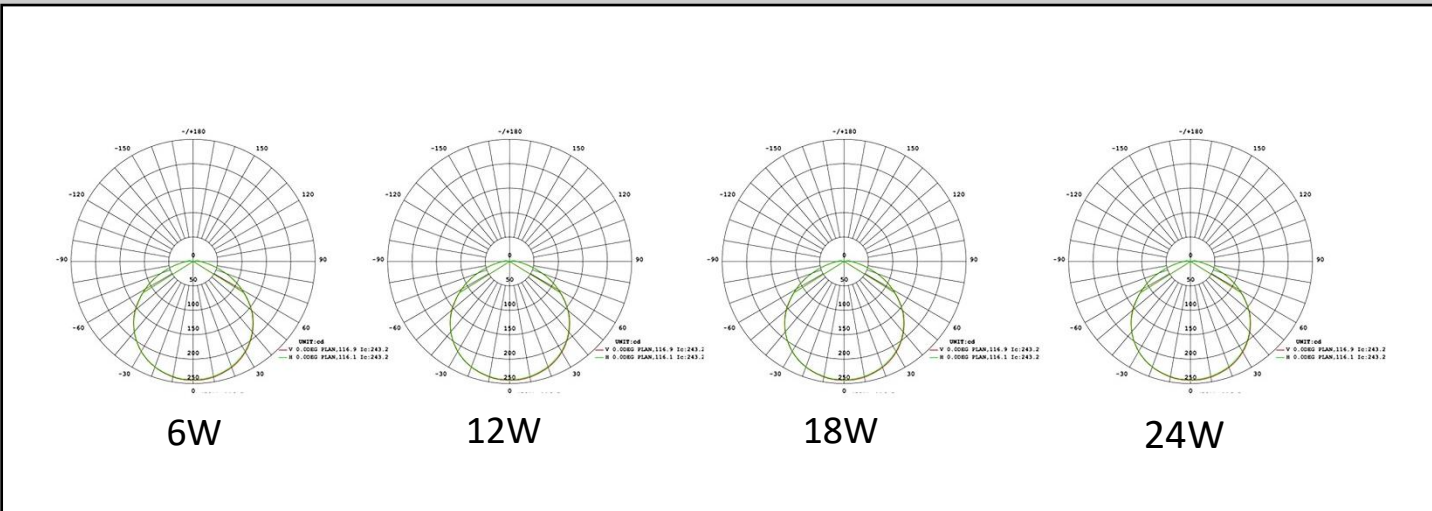
ITEM CODE	ITEM DESCRIPTION	POWER (w)	POWER FACTOR	LUMEN (LM)	EFFICACY (LM/W)	BEAM ANGLE	CRI	CGT (K)	GUT OUT	DIMINTION
GDL SMD 6W D120-3k	CIRCULAR DOWNLIGHTS SMD 6W 3000K D120-IP 20	6	0.4	600	100	40°	80	3000K	Φ 105	Φ 120
GDL SMD 6W D120-4k	CIRCULAR DOWNLIGHTS SMD 6W 4000K D120-IP 20	6	0.4	600	100	40°	80	4000K	Φ 105	Φ 120
GDL SMD 6W D120-6k	CIRCULAR DOWNLIGHTS 6W 6000K D 120-IP 20	6	0.4	600	100	40°	80	6000K	Φ 105	Φ 120
GDL SMD 12W D175-3k	CIRCULAR DOWNLIGHTS SMD12W 3000K D 175-IP 20	12	0.4	1200	100	40°	80	3000K	Φ 155	Φ 175
GDL SMD 12W D175-4k	CIRCULAR DOWNLIGHTS SMD 4000K D 175-IP 20	12	0.4	1200	100	40°	80	4000K	Φ 155	Φ 175
GDL SMD 12W D175-6k	CIRCULAR DOWNLIGHTS SMD 12W 6000K D 175 -IP 20	12	0.4	1200	100	40°	80	6000K	Φ 155	Φ 175
GDL SMD 18W D220-3k	CIRCULAR DOWNLIGHTS SMD 18W 3000K D 220-IP 20	18	0.4	1800	100	40°	80	3000K	Φ 205	Φ 220
GDL SMD 18W D220-4k	CIRCULAR DOWNLIGHTS SMD 18W 4000K D 220-IP 20	18	0.4	1800	100	40°	80	4000K	Φ 205	Φ 220
GDL SMD 18W D220-6k	CIRCULAR DOWNLIGHTS SMD 18W 6000K D 220-IP 20	18	0.4	1800	100	40°	80	6000K	Φ 205	Φ 220
GDL SMD 24W D300-3k	CIRCULAR DOWNLIGHTS SMD 24W 3000K D300-IP 20	24	0.4	2400	100	40°	80	3000K	Φ 285	Φ 300
GDL SMD 24W D300-4k	CIRCULAR DOWNLIGHTS SMD 24W 4000K D 300-IP 20	24	0.4	2400	100	40°	80	4000K	Φ 285	Φ 300
GDL SMD 24W D300-6k	CIRCULAR DOWNLIGHTS SMD 24W 6000K D 300-IP 20	24	0.4	2400	100	40°	80	6000K	Φ 285	Φ 300



DIMENSION



PHOTOMETRIC DATA



SPECTROMETRY

