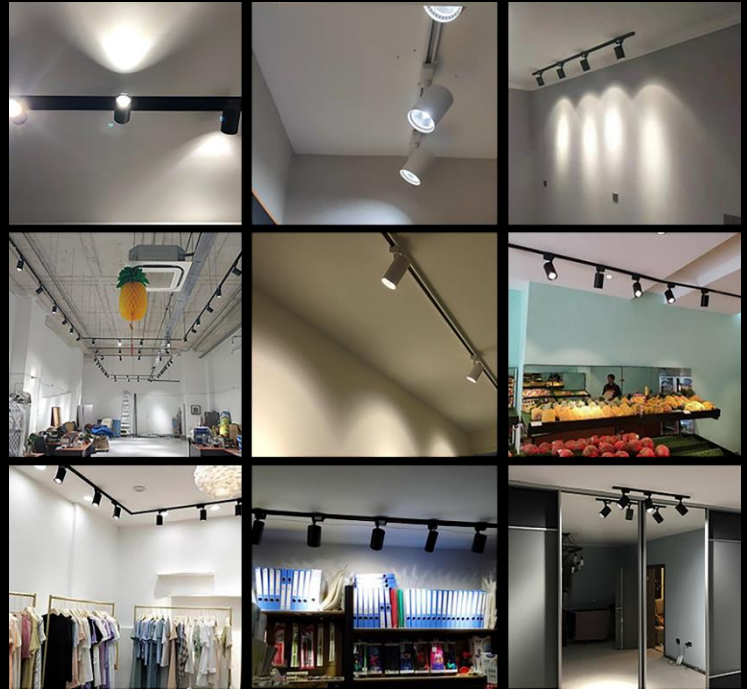


TRACK LIGHT (V2)



APPLICATION



TRACK LIGHT

PENDENT TRACK LIGHT COB LED WITH ADJUSTABLE SPREAD ANGLE, IP 20
DESIGNED AND CREATED FOR INDOOR DECORATIVE DIRECTED LIGHTING.

BODY

MADE OF ALUMINUM SECTIONS ELECTROSTATIC COATED AFTER PHOSPHO - CHROMATATION, HEAT SINK ANODIZED WITH ADJUSTABLE FOCUS GLASS LENS.

ADJUSTABLE COMPLETE WITH TRACK SYSTEM AS REQUIRED WITH ALL ACCESSORIES.

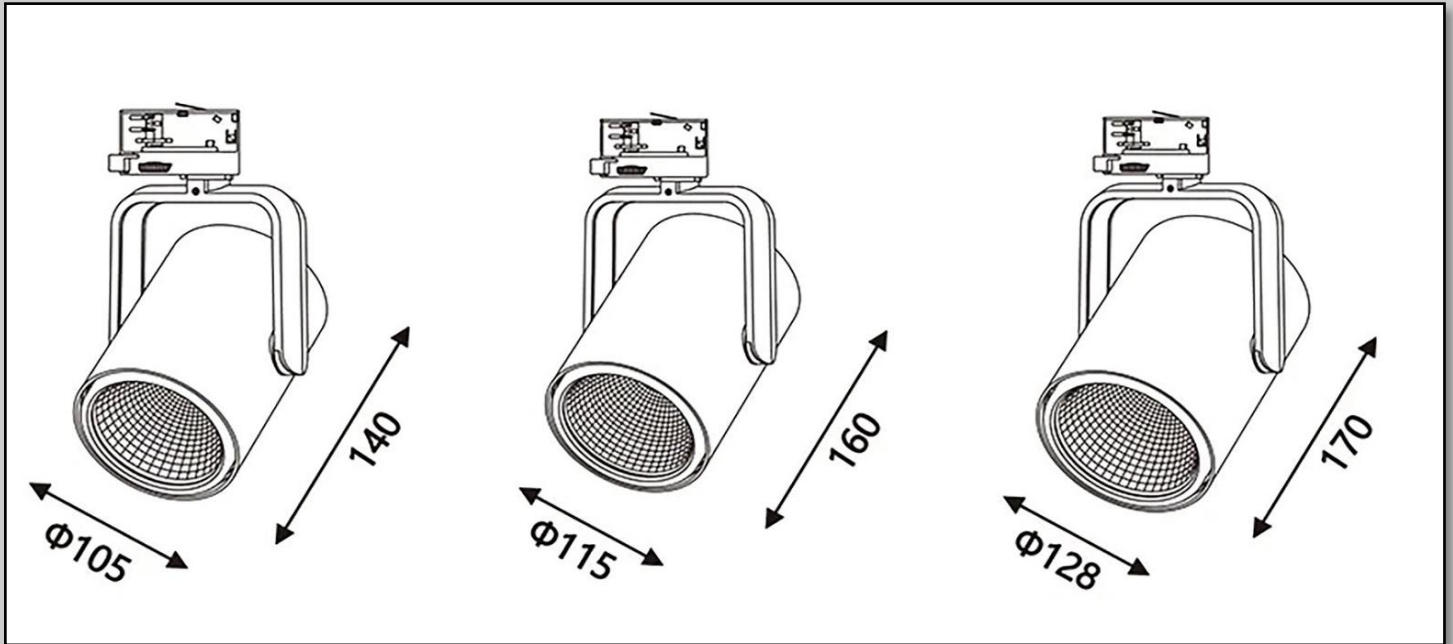
LEDs

AVAILABILITY OF DIFFERENT COLOR TEMPERATURES.

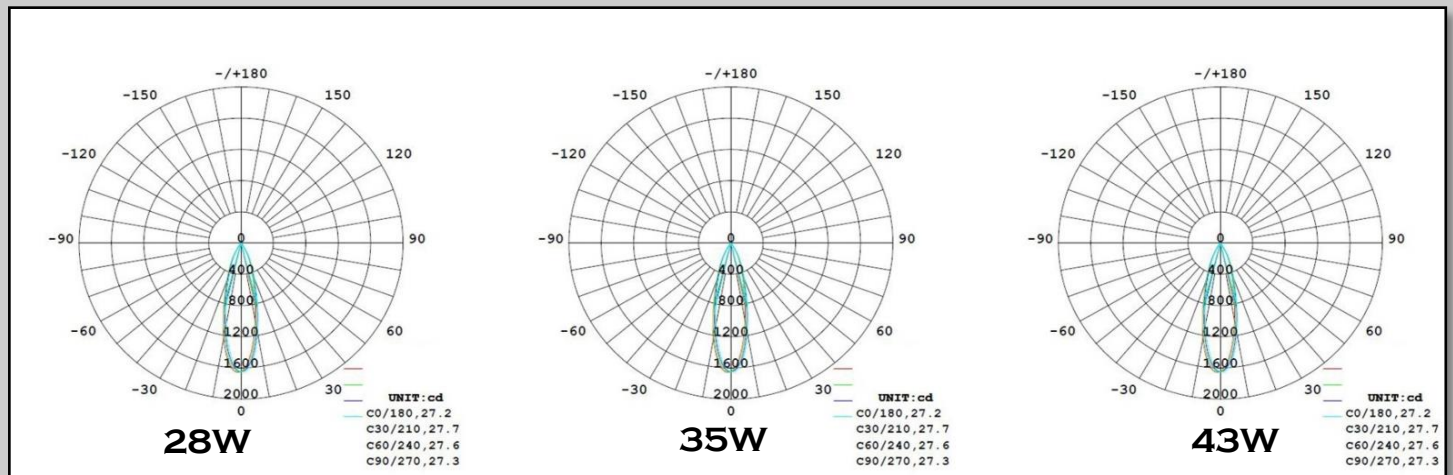
ITEM CODE	ITEM DESCRIPTION	POWER (w)	POWER FACTOR	LUMEN (LM)	EFFICACY (LM/W)	BEAM ANGLE	GRI	CCT (K)	DIMINATION
TL V2 COB 28w Ø105 -3K	LED TRACK LIGHT V2 COB 28W 3000K D105X140 IP 20	28	0.95	2800	100	12°/30°/45°/60°	81.3	3000K	105X140
TL V2 COB 28w Ø105 -4K	LED TRACK LIGHT V2 COB 28W 4000K D105X140 IP 20	28	0.95	2800	100	12°/30°/45°/60°	81.3	4000K	105X140
TL V2 COB 28w Ø105 -6K	LED TRACK LIGHT V2 COB 28W 6000K D105X140 IP 20	28	0.95	2800	100	12°/30°/45°/60°	81.3	6000K	105X140
TL V2 COB 35w Ø115 -3K	LED TRACK LIGHT V2 COB 35W 3000K D115X160 IP 20	35	0.95	3500	100	12°/30°/45°	81.3	3000K	115X160
TL V2 COB 35w Ø115 -4K	LED TRACK LIGHT V2 COB 35W 4000K D115X160 IP 20	35	0.95	3500	100	12°/30°/45°	81.3	4000K	115X160
TL V2 COB 35w Ø115 -6K	LED TRACK LIGHT V2 COB 35W 6000K D115X160 IP 20	35	0.95	3500	100	12°/30°/45°	81.3	6000K	115X160
TL V2 COB 43w Ø128 -3K	LED TRACK LIGHT V2 COB 35W 3000K D128X170 IP 20	43	0.95	4300	100	12°/30°/45°/60°	81.3	3000K	128X170
TL V2 COB 43w Ø128 -4K	LED TRACK LIGHT V2 COB 35W 4000K D128X170 IP 20	43	0.95	4300	100	12°/30°/45°/60°	81.3	4000K	128X170
TL V2 COB 43w Ø128 -6K	LED TRACK LIGHT V2 COB 35W 6000K D128X170 IP 20	43	0.95	4300	100	12°/30°/45°/60°	81.3	6000K	128X170



DIMENSION



PHOTOMETRIC DATA



SPECTROMETRY

