

## TRACK LIGHT (V3)



### APPLICATION



### TRACK LIGHT

PENDENT TRACK LIGHT COB LED WITH ADJUSTABLE SPREAD ANGLE, IP 20  
DESIGNED AND CREATED FOR INDOOR DECORATIVE DIRECTED LIGHTING.

### BODY

MADE OF ALUMINUM SECTIONS ELECTROSTATIC COATED AFTER PHOSPHO - CHROMATATION,  
HEAT SINK ANODIZED WITH ADJUSTABLE FOCUS GLASS LENS.

ADJUSTABLE COMPLETE WITH TRACK SYSTEM AS REQUIRED WITH ALL ACCESSORIES.

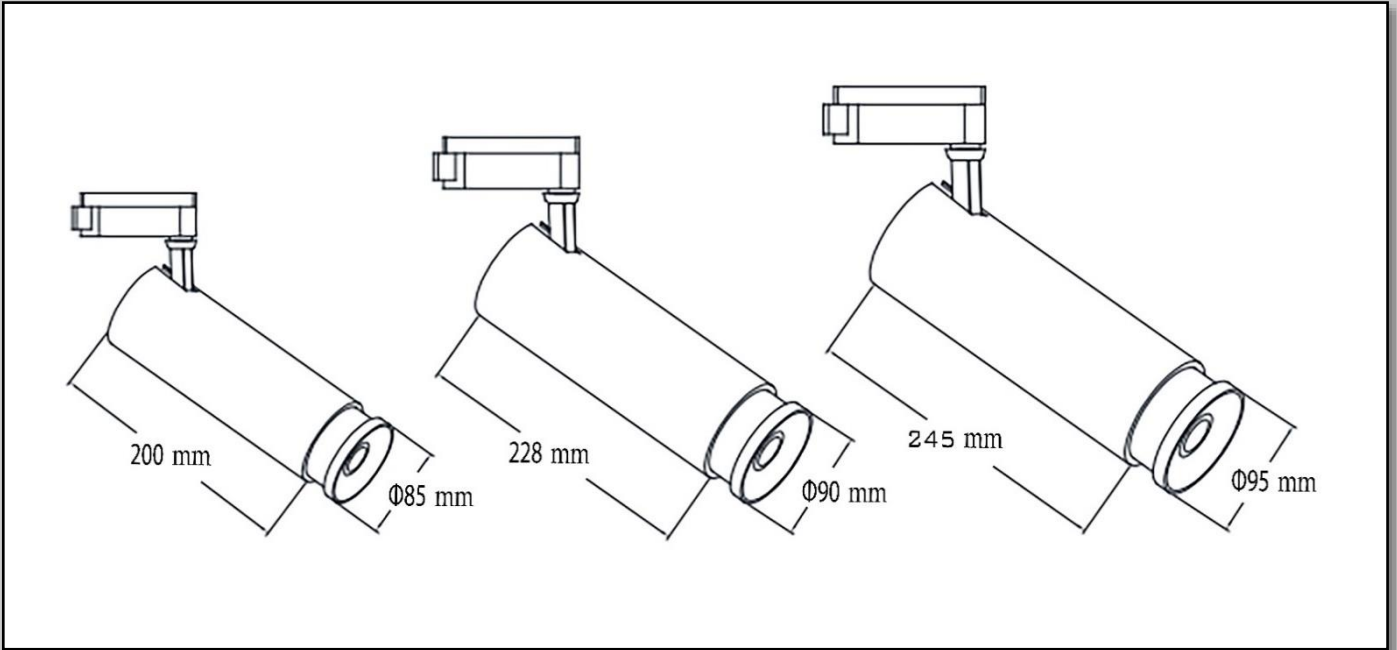
### LEDs

AVAILABILITY OF DIFFERENT COLOR TEMPERATURES.

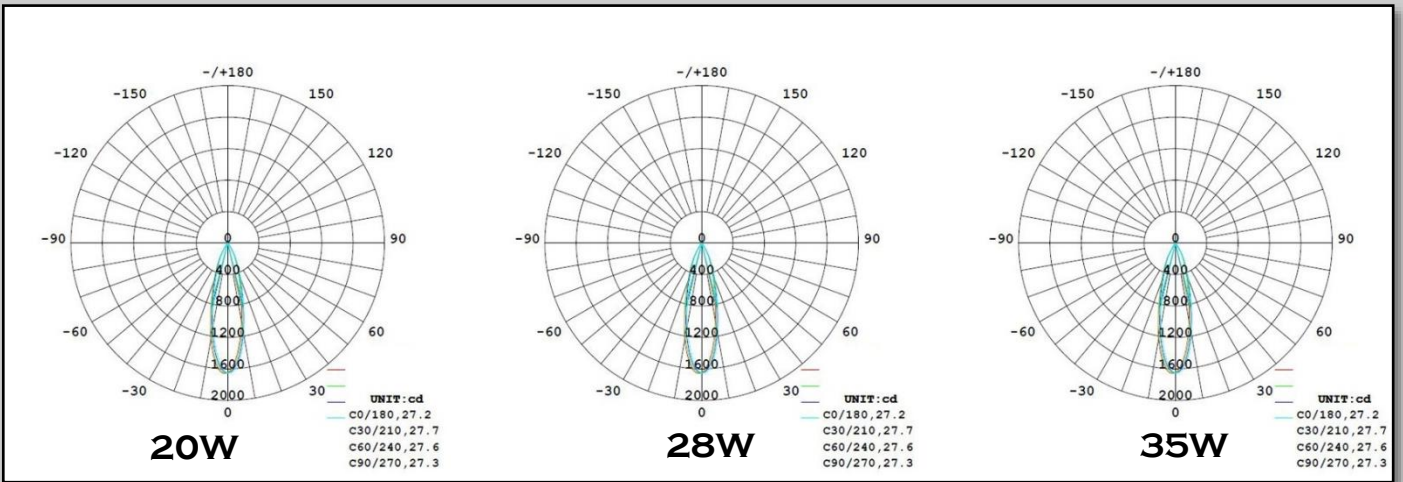
ITEM CODE	ITEM DESCRIPTION	POWER (w)	POWER FACTOR	LUMEN (LM)	EFFICACY (LM/W)	BEAM ANGLE	CRI	CCT (K)	DIMINATION
TL V3 COB 20w Ø85 -3K	LED TRACK LIGHT V3 COB 20W 3000K D85X200 IP 20	20	0.95	2000	100	15°/45°	81.3	3000K	85X200
TL V3 COB 20w Ø85 -4K	LED TRACK LIGHT V3 COB 20W 4000K D85X200 IP 20	20	0.95	2000	100	15°/45°	81.3	4000K	85X200
TL V3 COB 20w Ø85 -6K	LED TRACK LIGHT V3 COB 20W 6000K D85X200 IP 20	20	0.95	2000	100	15°/45°	81.3	6000K	85X200
TL V3 COB 28w Ø90 -3K	LED TRACK LIGHT V3 COB 28W 3000K D90X228 IP 20	28	0.95	2800	100	12°/30°/45°	81.3	3000K	90X228
TL V3 COB 28w Ø90 -4K	LED TRACK LIGHT V3 COB 28W 4000K D90X228 IP 20	28	0.95	2800	100	12°/30°/45°	81.3	4000K	90X228
TL V3 COB 28w Ø90 -6K	LED TRACK LIGHT V3 COB 28W 6000K D90X228 IP 20	28	0.95	2800	100	12°/30°/45°	81.3	6000K	90X228
TL V3 COB 35w Ø95 -3K	LED TRACK LIGHT V3 COB 35W 3000K D95X245 IP 20	35	0.95	3500	100	12°/30°/45°/60°	81.3	3000K	95X245
TL V3 COB 35w Ø95 -4K	LED TRACK LIGHT V3 COB 35W 4000K D95X245 IP 20	35	0.95	3500	100	12°/30°/45°/60°	81.3	4000K	95X245
TL V3 COB 35w Ø95 -6K	LED TRACK LIGHT V3 COB 35W 6000K D95X245 IP 20	35	0.95	3500	100	12°/30°/45°/60°	81.3	6000K	95X245



# DIMENSION



# PHOTOMETRIC DATA



# SPECTROMETRY

