

**LED GARDEN POLE HEAD (V1) IP65**



**APPLICATION**



**LED GARDEN POLE HEAD**

POLE MOUNTED LUMINAIRE, USE WITH LED SMD LEDs LIGHT SOURCE IP 65, DESIGNED AND CREATED FOR LANDSCAPE LIGHTING.

**BODY**

MADE OF DIE CAST AND PRESS FORMED ALUMINUM ELECTROSTATIC COATED AFTER PHOSPHO - CHROMATATION. PMMA LENSES WITH POLY CARBONATE OUTER DIFFUSER.

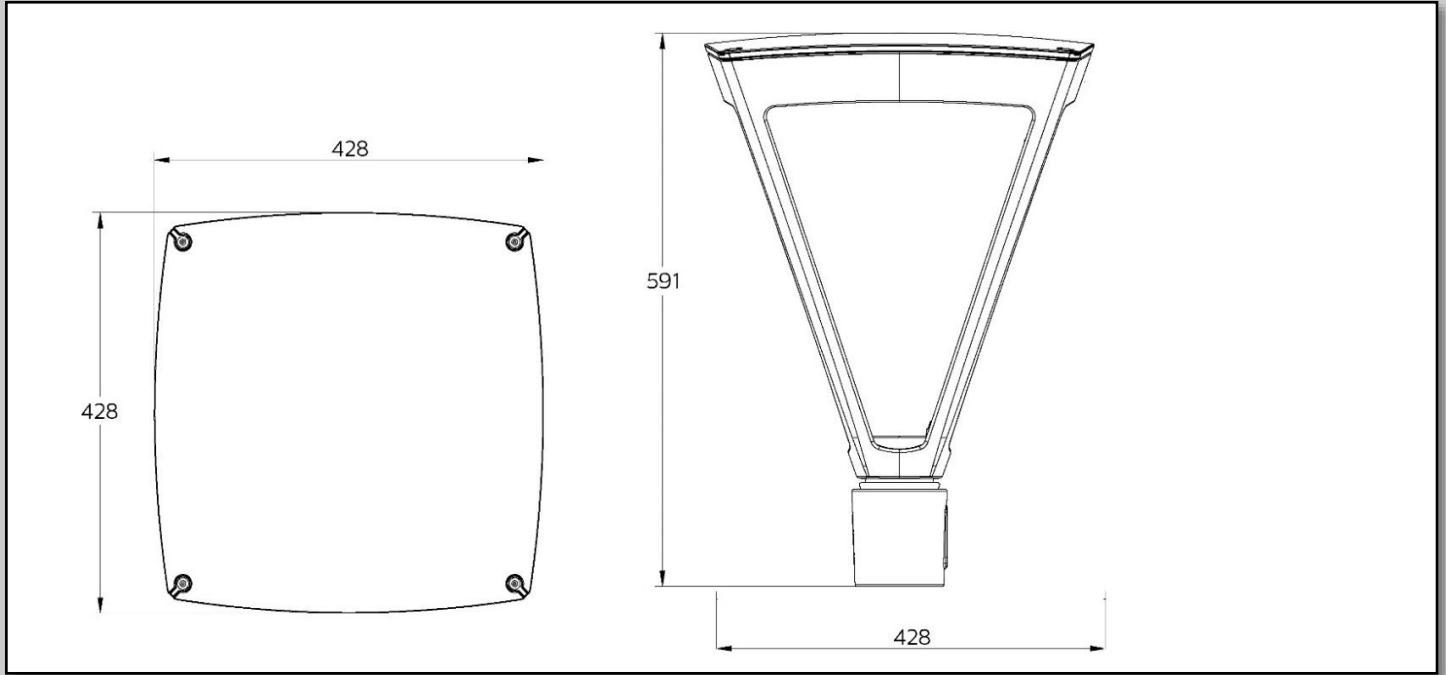
**LEDs**

AVAILABILITY OF DIFFERENT COLOR TEMPERATURES.

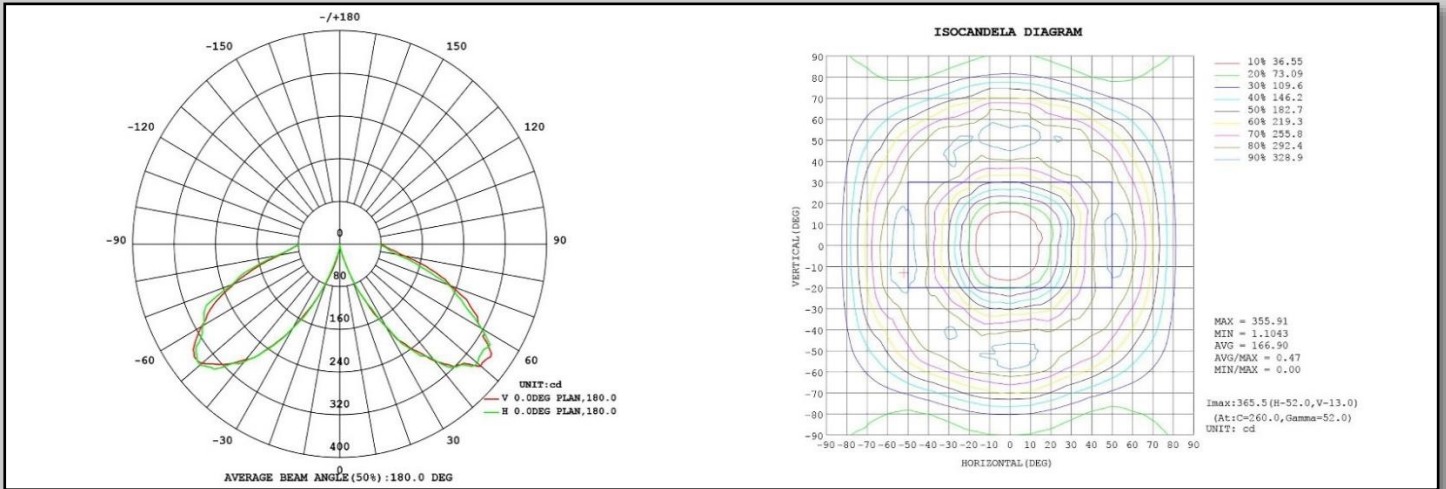
ITEM CODE	ITEM DESCRIPTION	POWER (W)	POWER FACTOR	LUMEN (LM)	EFFICACY (LM/W)	BEAM ANGLE	CRI	CCT (K)	DIMINATION
GPH V1 SMD 60w 3K	GARDEN POLE HEAD V1 SMD 60W 3000K D428 IP 65	60	0.986	6000	100	158.2	73	3000K	428*428*591
GPH V1 SMD 60w 4K	GARDEN POLE HEAD V1 SMD 60W 4000K D428 IP 65	60	0.986	6000	100	158.2	73	4000K	428*428*591
GPH V1 SMD 60w 6K	GARDEN POLE HEAD V1 SMD 60W 6000K D428 IP 65	60	0.986	6000	100	158.2	73	6000K	428*428*591



# DIMENSION



# PHOTOMETRIC DATA



# SPECTROMETRY

