

LED DOUBLE GARDEN POLE IP65



APPLICATION



LED DOUBLE GARDEN POLE

GROUND MOUNTED LUMINAIRE, USE WITH LED SMD LEDs LIGHT SOURCE IP 65, DESIGNED AND CREATED FOR LANDSCAPE LIGHTING.

BODY

MADE OF DIE CAST/EXTRUDED ALUMINUM ELECTROSTATIC COATED AFTER

PHOSPHO - CHROMATATION. SEGMENTED SPECULAR REFLECTOR, TEXTURED GLASS DIFFUSER.

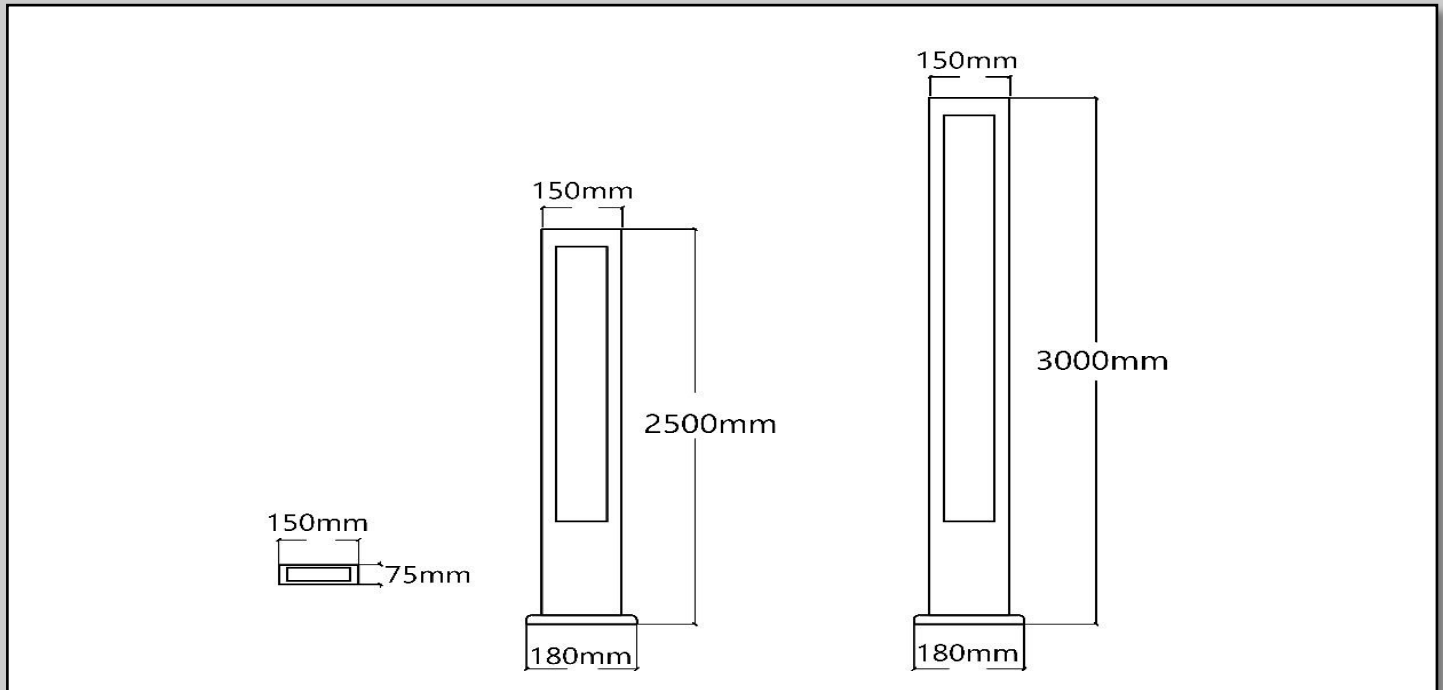
LEDs

AVAILABILITY OF DIFFERENT COLOR TEMPERATURES.

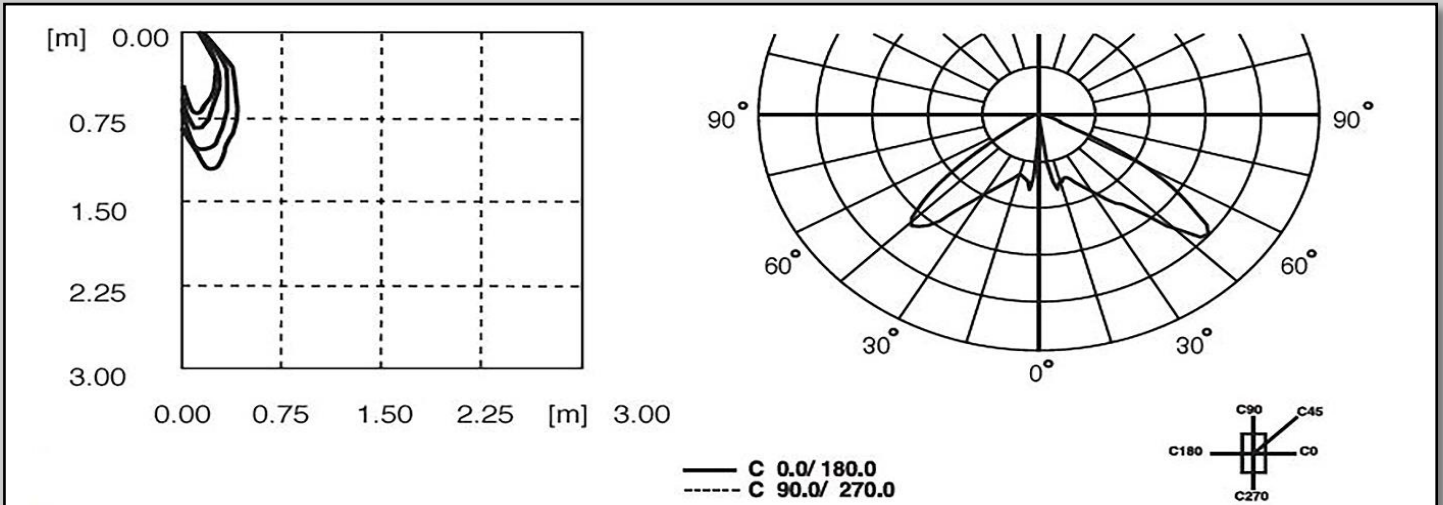
ITEM CODE	ITEM DESCRIPTION	POWER (W)	POWER FACTOR	LUMEN (LM)	EFFICACY (LM/W)	BEAM ANGLE	CRI	CCT (K)	DIMINATION
DGP SMD 30w D2500 3k	LED Double GARDEN Pole SMD 30W 3000K D2500 IP 65	30	0.986	3000	100	50	73	3000K	150*2500
DGP SMD 30w D2500 4k	LED Double GARDEN Pole SMD 30W 4000K D2500 IP 65	30	0.986	3000	100	50	73	4000K	150*2500
DGP SMD 30w D2500 6k	LED Double GARDEN Pole SMD 30W 6000K D2500 IP 65	30	0.986	3000	100	50	73	6000K	150*2500
DGP SMD 35w D3000 3k	LED Double GARDEN Pole SMD 35W 3000K D3000 IP 65	35	0.986	3500	100	50	73	3000K	150*3000
DGP SMD 35w D3000 4k	LED Double GARDEN Pole SMD 35W 4000K D3000 IP 65	35	0.986	3500	100	50	73	4000K	150*3000
DGP SMD 35w D3000 6k	LED Double GARDEN Pole SMD 35W 6000K D3000 IP 65	35	0.986	3500	100	50	73	6000K	150*3000



DIMENSION



PHOTOMETRIC DATA



SPECTROMETRY

