

GRAND – UPLIGHT (V2) IP67



APPLICATION



LED UP LIGHT

GROUND RECESSED ABS CYLINDER MOUNTED, USE WITH LED COB LIGHT IP 67, IK 08 DESIGNED AND CREATED FOR DECORATIVE OUTDOORS BUILDING AND LANDSCAPE LIGHTING.

BODY

MADE OF STAINLESS-STEEL RING, DIE CAST ALUMINUM HEAT SINK COATED AFTER PHOSPHO - CHROMATATION, ABS OUTER SHELL. CLEAR TEMPERED GLASS DIFFUSER.

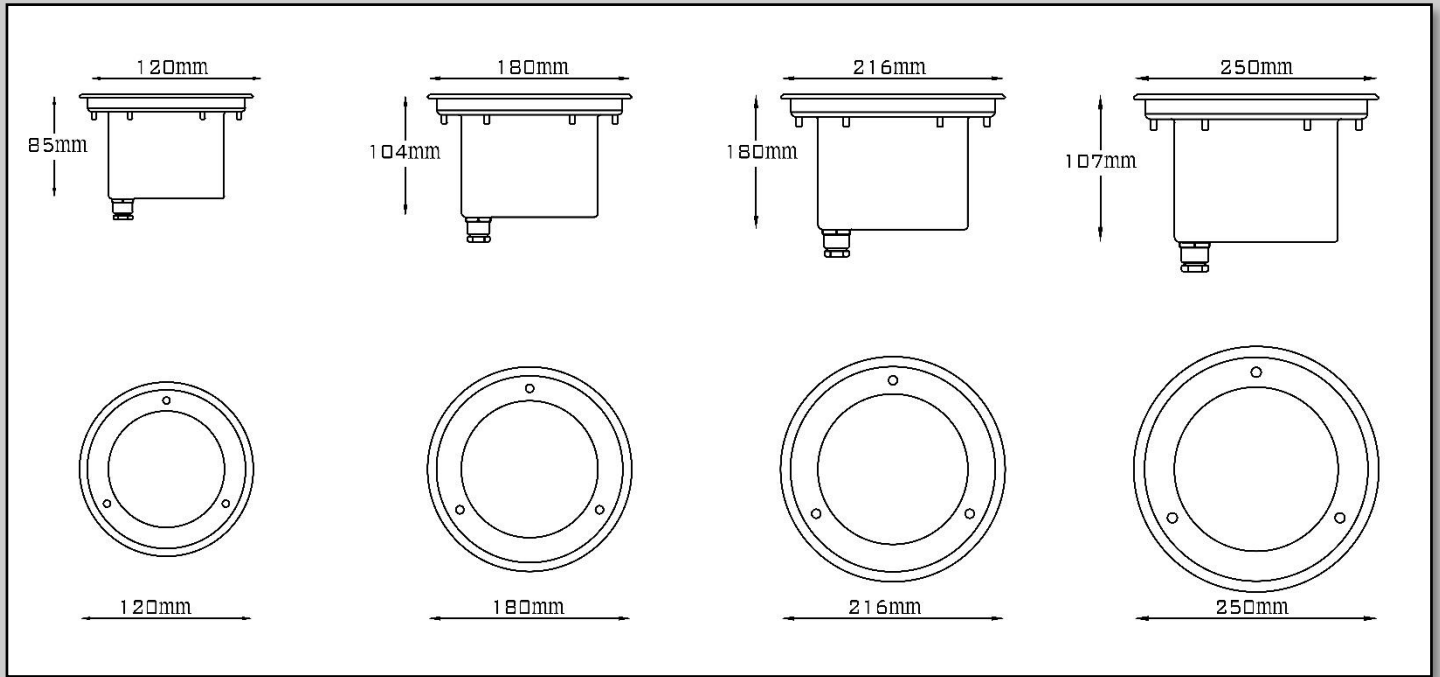
LEDs

AVAILABILITY OF DIFFERENT POWER RATINGS AND COLOR TEMPERATURES.

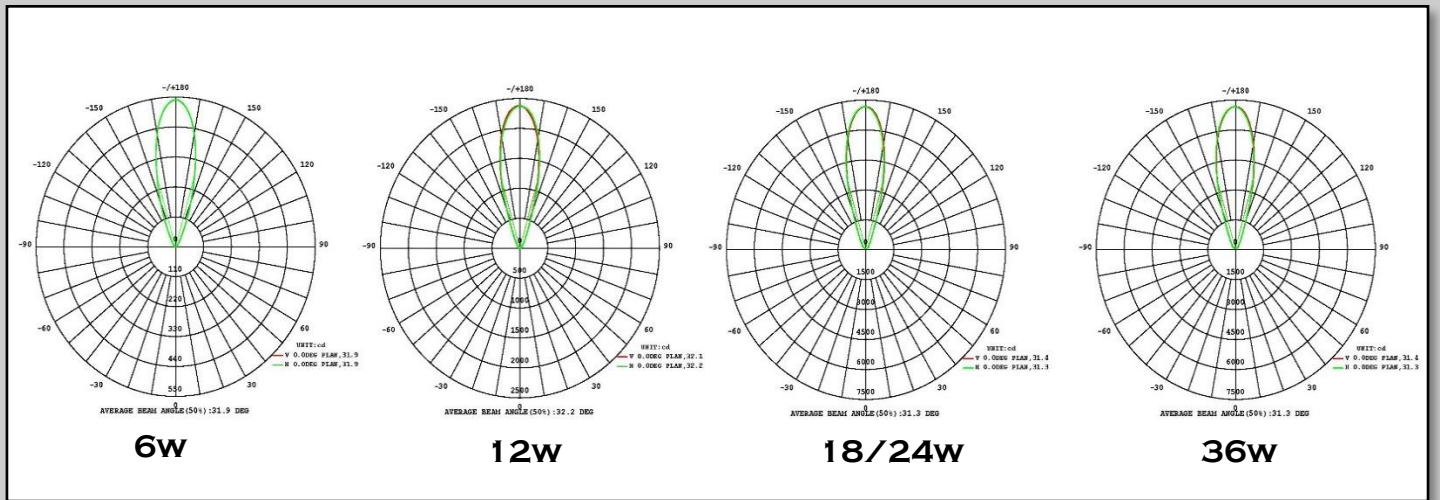
ITEM CODE	ITEM DESCRIPTION	POWER (w)	POWER FACTOR	LUMEN (LM)	EFFICACY (LM/W)	BEAM ANGLE	CRI	CCT (K)	DIMINATION
UP V2 COB 6w 3k	LED CIRCULAR UPLIGHT COB 6W 3000K D120 IP 67	6	0.95	600	100	45	81.3	3000K	120*85
UP V2 COB 6w 4k	LED CIRCULAR UPLIGHT COB 6W 4000K D120 IP 67	6	0.95	600	100	45	81.3	4000K	120*85
UP V2 COB 12w 3k	LED CIRCULAR UPLIGHT COB 12W 3000K D180 IP 67	12	0.95	1200	100	45	81.3	3000K	180*104
UP V2 COB 12w 4k	LED CIRCULAR UPLIGHT COB 12W 4000K D180 IP 67	12	0.95	1200	100	45	82.2	4000K	180*104
UP V2 COB 18w 3k	LED CIRCULAR UPLIGHT COB 18W 3000K D 216 IP 67	18	0.95	1800	100	45	82.2	3000K	216*180
UP V2 COB 18w 4k	LED CIRCULAR UPLIGHT COB 18W 4000K D 216 IP 67	18	0.95	1800	100	45	82.2	4000K	216*180
UP V2 COB 24w 3k	LED CIRCULAR UPLIGHT COB 24W 3000K D216 IP 67	24	0.95	2400	100	45	82.2	3000K	216*180
UP V2 COB 24w 4k	LED CIRCULAR UPLIGHT COB 24W 4000K D216 IP 67	24	0.95	2400	100	45	82.2	4000K	216*180
UP V2 COB 36w 3k	LED CIRCULAR UPLIGHT COB 36W 3000K D250 IP 67	36	0.95	3600	100	45	82.2	3000K	250*107
UP V2 COB 36w 4k	LED CIRCULAR UPLIGHT COB 36W 4000K D250 IP 67	36	0.95	3600	100	45	82.2	4000K	250*107



DIMENSION



PHOTOMETRIC DATA



SPECTROMETRY

