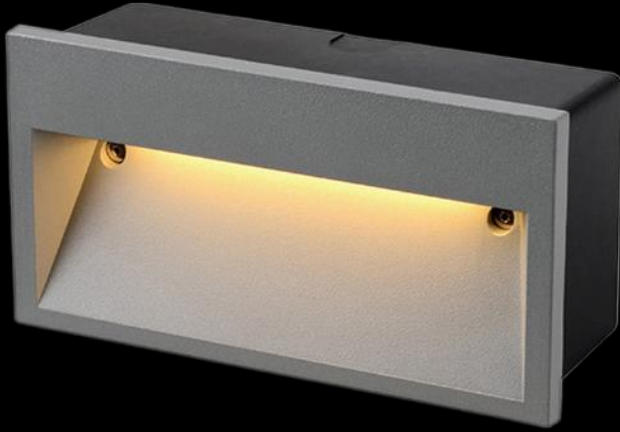


STEP LIGHT (V2) IP65



APPLICATION



LED STEP LIGHT

WALL RECESSED BOX LUMINAIR, USE WITH LED SMD LIGHT IP 65, IK 08. DESIGNED AND CREATED FOR FRONT AND SIDE MOUNTING GENERAL WALL BOTTOM MOUNTING AND CORRIDORS.

BODY

MADE OF DIE CAST ALUMINUM ELECTROSTATIC COATED AFTER PHOSPHO - CHROMATATION, WITH ABS WALL EMBEDDED BOX.

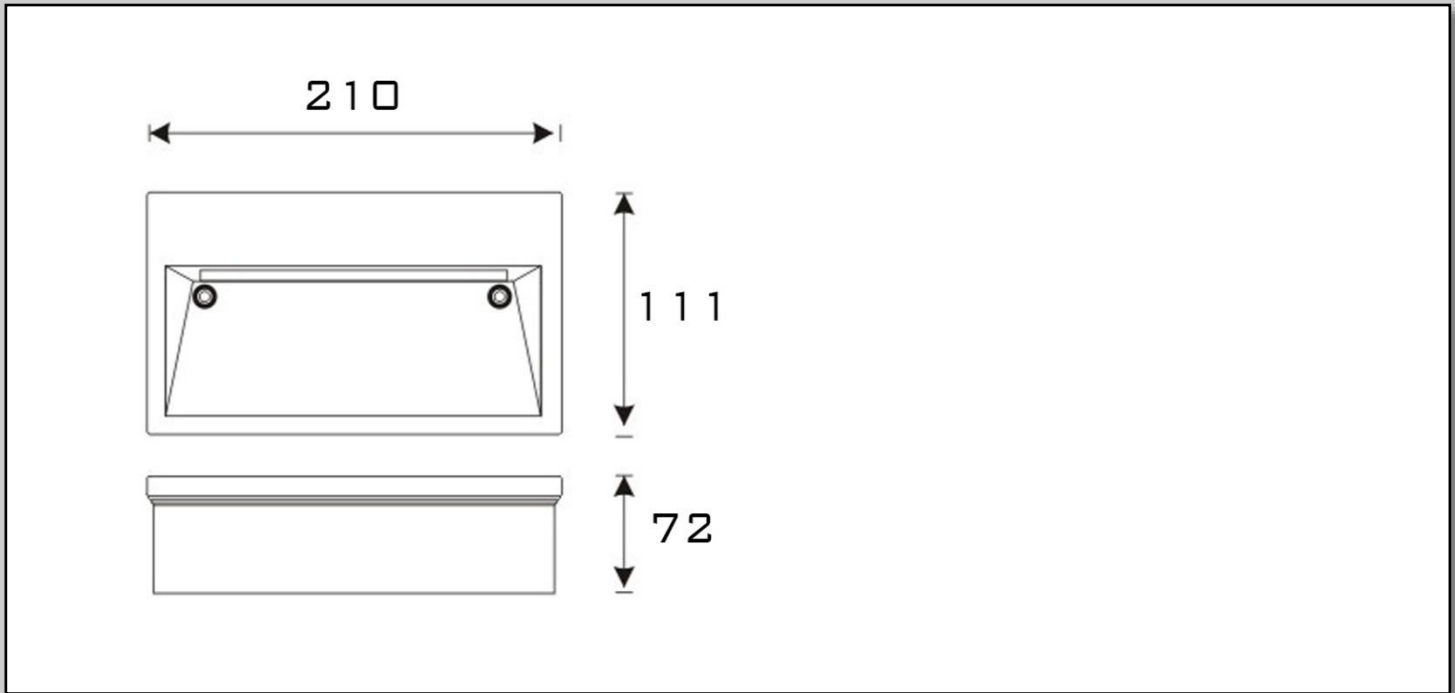
LEDs

AVAILABILITY OF DIFFERENT POWER RATINGS AND COLOR TEMPERATURES.

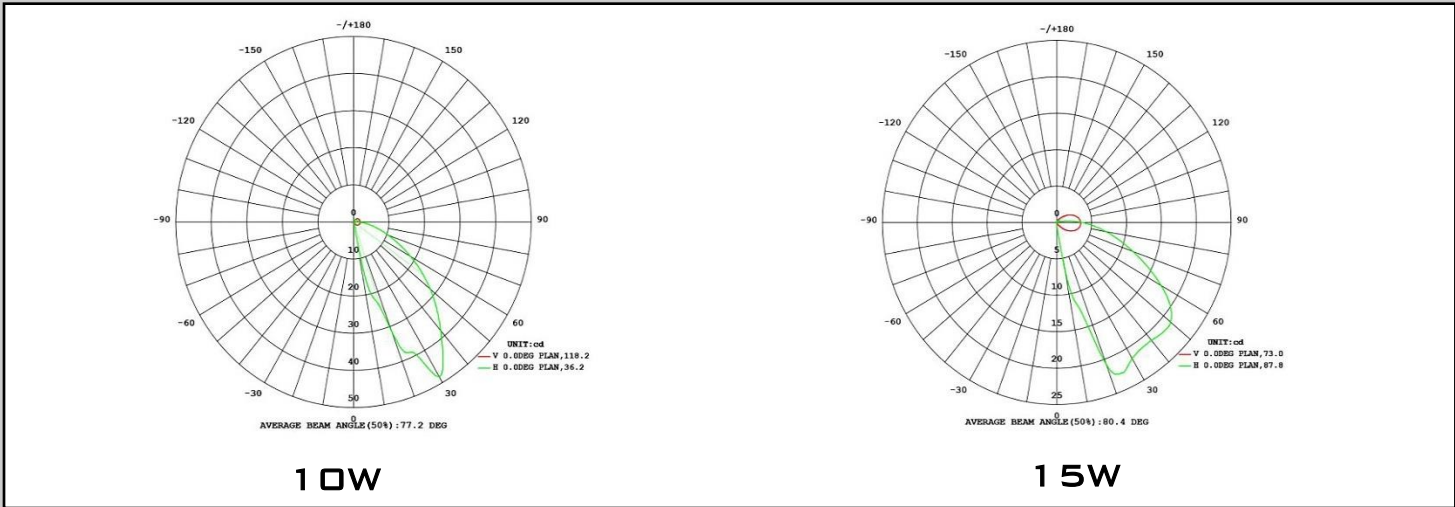
ITEM CODE	ITEM DESCRIPTION	POWER (W)	POWER FACTOR	LUMEN (LM)	EFFICACY (LM/W)	BEAM ANGLE	CRI	CCT (K)	DIMINATION
SL V2 SMD 10w 3k	LED STEP LIGHT SMD 10W 3000K D50*50 IP 65	10	0.95	1000	100	60	81.3	3000K	210*111*72
SL V2 SMD 10w 4k	LED STEP LIGHT SMD 10W 4000K D50*50 IP 65	10	0.95	1000	100	60	81.3	4000K	210*111*72
SL V2 SMD 10w 6k	LED STEP LIGHT SMD 10W 6000K D50*50 IP 65	10	0.95	1000	100	60	81.3	6000K	210*111*72
SL V2 SMD15w 3k	LED STEP LIGHT SMD 15W 3000K D50*50 IP 65	15	0.95	1500	100	80	81.3	3000K	210*111*72
SL V2 SMD15w 4k	LED STEP LIGHT SMD 15W 4000K D50*50 IP 65	15	0.95	1500	100	80	81.3	4000K	210*111*72
SL V2 SMD15w 6k	LED STEP LIGHT SMD 15W 6000K D50*50 IP 65	15	0.95	1500	100	80	81.3	6000K	210*111*72



DIMENSION



PHOTOMETRIC DATA



SPECTROMETRY

